

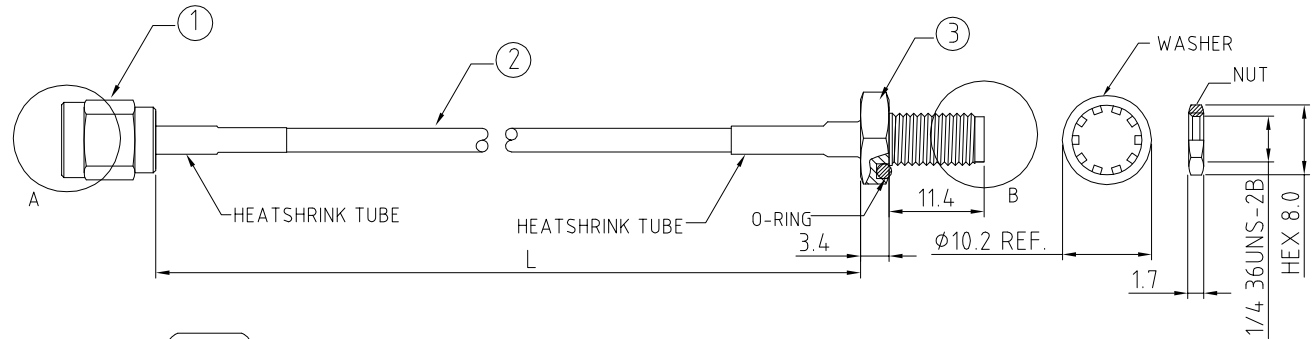
CABLE 122 RF: RF CABLE ASSEMBLY, RP SMA ST PLUG + RP SMA FEMALE BULKHEAD WITH O-RING + MULTIPLE CABLE SIZES

SPECIFICATIONS:

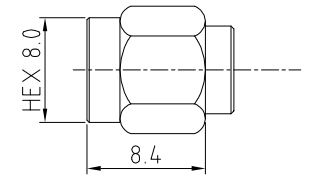
1. RP SMA STRAIGHT PLUG P/N:
FOR RG316 & RG174 CABLES: RFCT-SMA056-M74.
FOR $\phi 0.81\text{MM}$ CABLE: RFCT-SMA005-M08.
2. COAXIAL CABLE, SEE P/N FOR DETAIL.
3. RP SMA STRAIGHT BULKHEAD JACK WITH O-RING, P/N:
FOR RG316 & RG174 CABLE: RFCT-SMA057-F74.
FOR $\phi 0.81\text{MM}$ CABLE: RFCT-SMA045-F08.

NOTES:

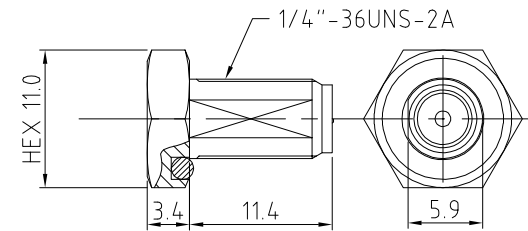
- 1, WORKING FREQUENCY RANGE:
FOR RG316 & $\phi 0.81\text{MM}$ CABLES: DC-6GHz
FOR RG174 CABLE: DC-3GHz



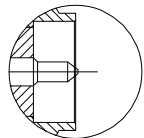
DETAIL A



SMA PLUG DETAIL DIMENSION



SMA JACK DETAIL DIMENSION



DETAIL B

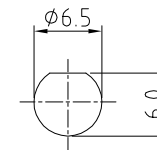
HOW TO ORDER

CABLE 122 RF - X X X X - X - X

"L" LENGTH IN MM
eg: 100MM = 0100
(MIN. = 0050)
STANDARD = 0100, 0150, 0200)
Tolerance: $\pm 50\text{mm}$: $\pm 2\text{mm}</math>.
51-200mm: $\pm 5\text{mm}</math>.
201-500mm: $\pm 7\text{mm}</math>.
>501mm: $\pm 10\text{mm}</math>.$$$$

CABLE SIZE OPTIONS:
BLANK = RG316 CABLE, COLOR: BROWN
1 = RG174 CABLE, COLOR: BLACK
2 = $\phi 0.81\text{MM}$ CABLE, COLOR: GRAY

WASHER AND NUT OPTIONS:
BLANK = SEPARATELY PACKED (STANDARD)
A = ASSEMBLED WITH CONNECTOR



RECOMMENDED SMA MOUNTING HOLE

REV. DATE & DRN	10 16/08/11 - NYW RELEASE
	11 27/06/16 - NYW
	12 02/06/17 - NYW
	13 06/06/19 - NYW

Scale: NTS	THIRD ANGLE	Unstated X .XX .XXX ANGLES	Tolerances: N/A N/A N/A N/A	Material SEE NOTE
Drawn: NYW				
App'd: XXX	Title: CABLE ASSEMBLY			NOT TO SCALE
Date: 6 JUN. '19	Revision: 1.3			Unit: mm

www.gradconn.com

THIS DRAWING IS CONFIDENTIAL AND MUST NOT BE COPIED OR DISCLOSED WITHOUT WRITTEN CONSENT

Type: Cable 122 RF
CABLE 122 RF
Drawing Number:
Sheet 1 of 1
Drawing © E and O E